

There's no turning back for doctors who use  
our Snap-Lock-Expander.



Fig. 1



Fig. 2

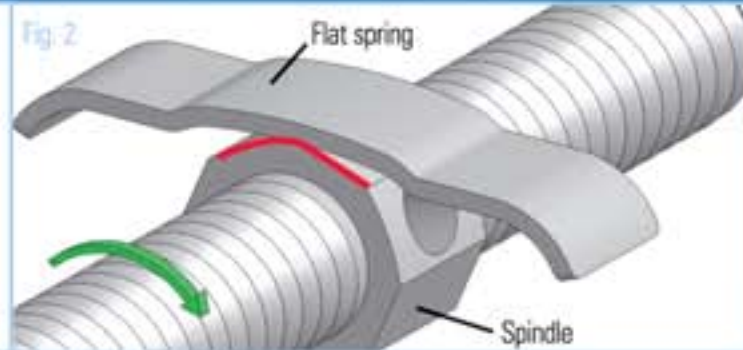
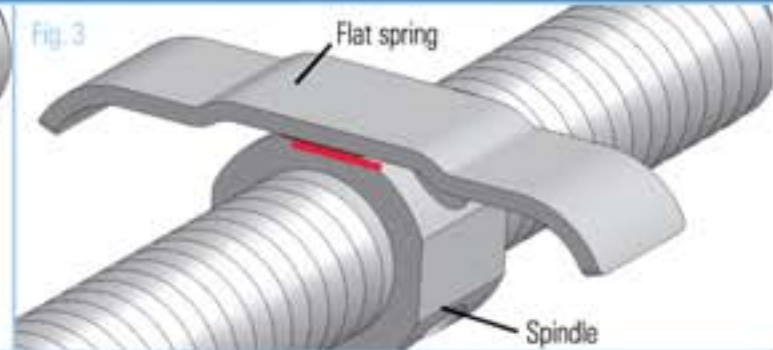


Fig. 3



## Snap-Lock-Expander

The Snap Lock Expander does not turn back unless the doctor or patient turns it back. After the activation of the spindle (Fig. 2), the flat spring snaps in (Fig 3).

When the Snap Lock Expander is properly activated by 1/4 turn, both the patient and doctor will be able to feel the screw lock. The hole in the spindle is always in the right place for reactivation.